

GI Lighting Poles

The lighting poles are made of GI pipe and are available in multiple standard sizes based on the requirement of mounting to the ground or to a handrail or to a wall. The poles can eliminate the tedious process of fabricating such structures on site, proving to be a simple and economic solution. The bends are carefully manufactured without any wrinkles.

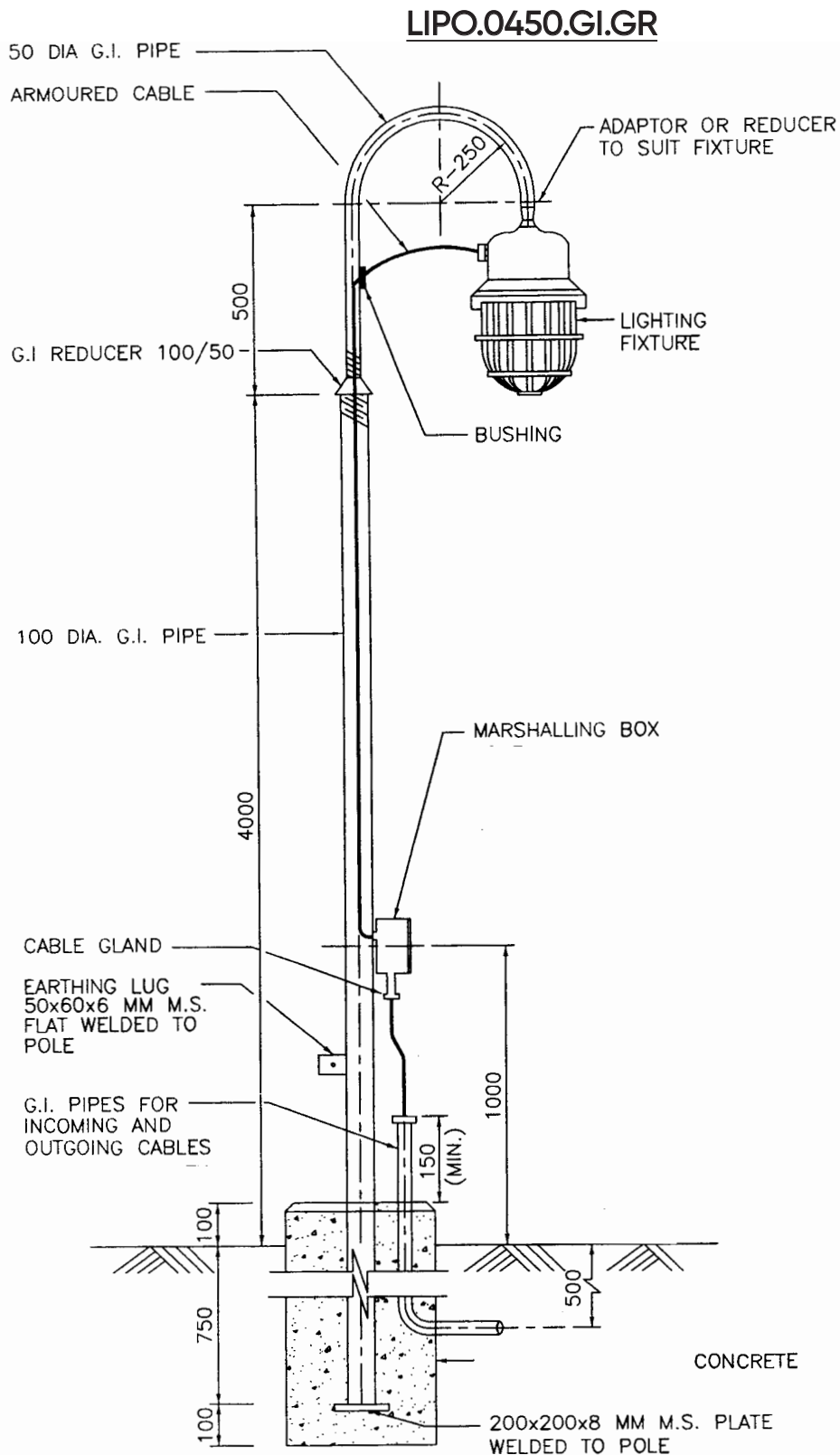
If poles are required in any other size than mentioned, please contact us.

Poles can be manufactured in custom sizes as per requirement..

Inspection by a third party agency (TPI) such as CIEL, TUV, BV or others can be arranged.

| Product Code | Height (H) (mm) | Mounting | Material |
|-----------------|--------------------|----------|------------------------|
| LIPO.0450.GI.GR | 5000 | Ground | GI Pipe - Medium Grade |
| LIPO.0240.GI.HR | 3000 | Handrail | GI Pipe - Medium Grade |
| LIPO.0150.GI.WA | 1500 | Wall | GI Pipe - Medium Grade |





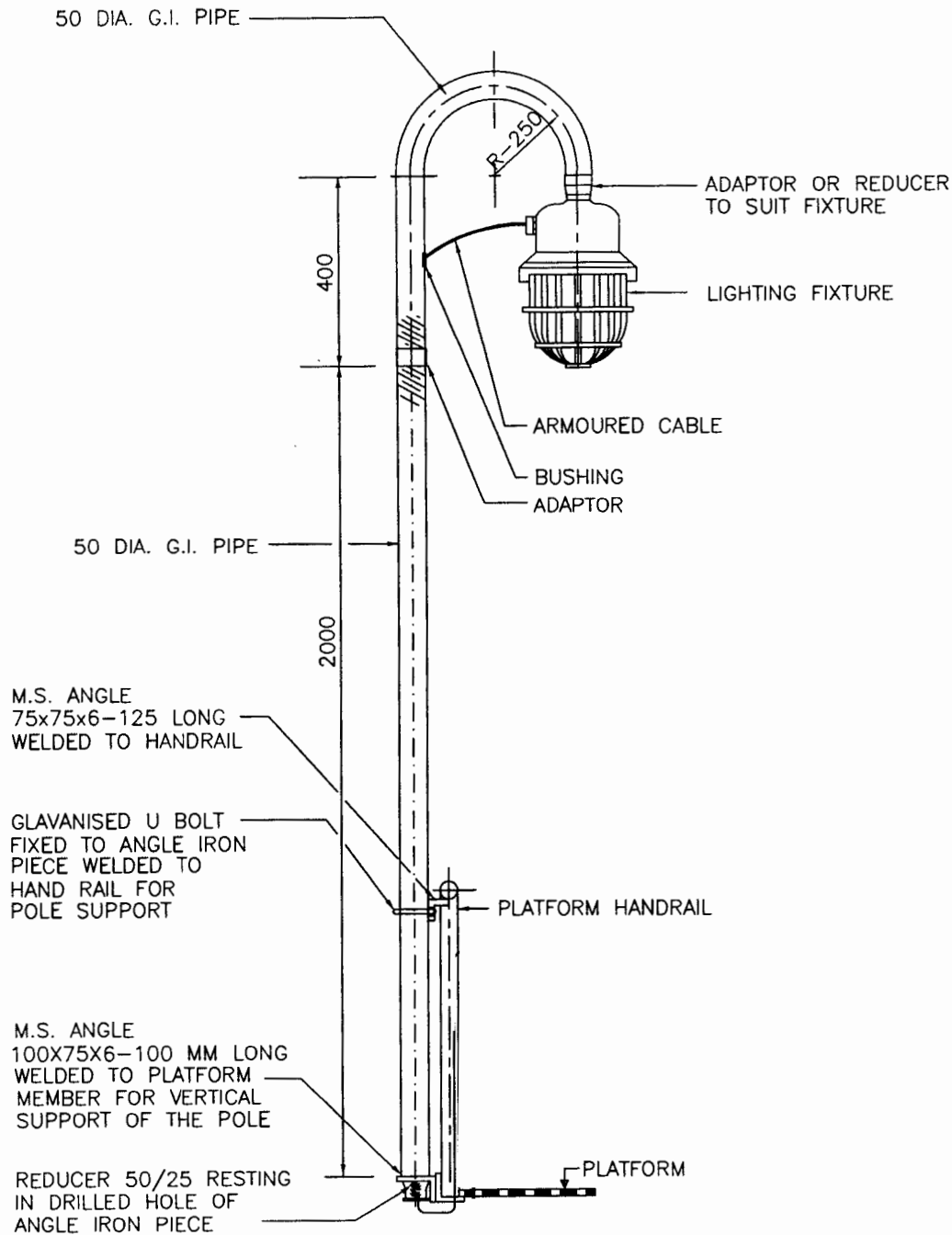
DETAIL-1

NOTES:-

1. ALL DIMENSIONS ARE IN MM.
2. TYPE OF FIXTURE USED SHALL FOR PROVIDING SUITABLE ADAPTORS
3. MARSHALLING BOX, JUNCTION BOX AND GI PIPES FOR CABLES AND OTHER CONCERNED CLAMPS AND SUPPORTS ARE TO BE ORDERED SEPARATELY
4. DRAWINGS ARE INDICATIVE FOR INSTALLATION



LIPO.0240.GI.HR



DETAIL-1

NOTES:--

1. ALL DIMENSIONS ARE IN MM.
2. TYPE OF FIXTURE USED SHALL FOR PROVIDING SUITABLE ADAPTORS
3. MARSHALLING BOX, JUNCTION BOX AND GI PIPES FOR CABLES AND OTHER CONCERNED CLAMPS AND SUPPORTS ARE TO BE ORDERED SEPARATELY
4. DRAWINGS ARE INDICATIVE FOR INSTALLATION



Aegion Dynamic

 www.aegiondynamic.com

 ads@aegiondynamic.com

LIPO.0150.GI.WA

