

## GI Lighting Poles

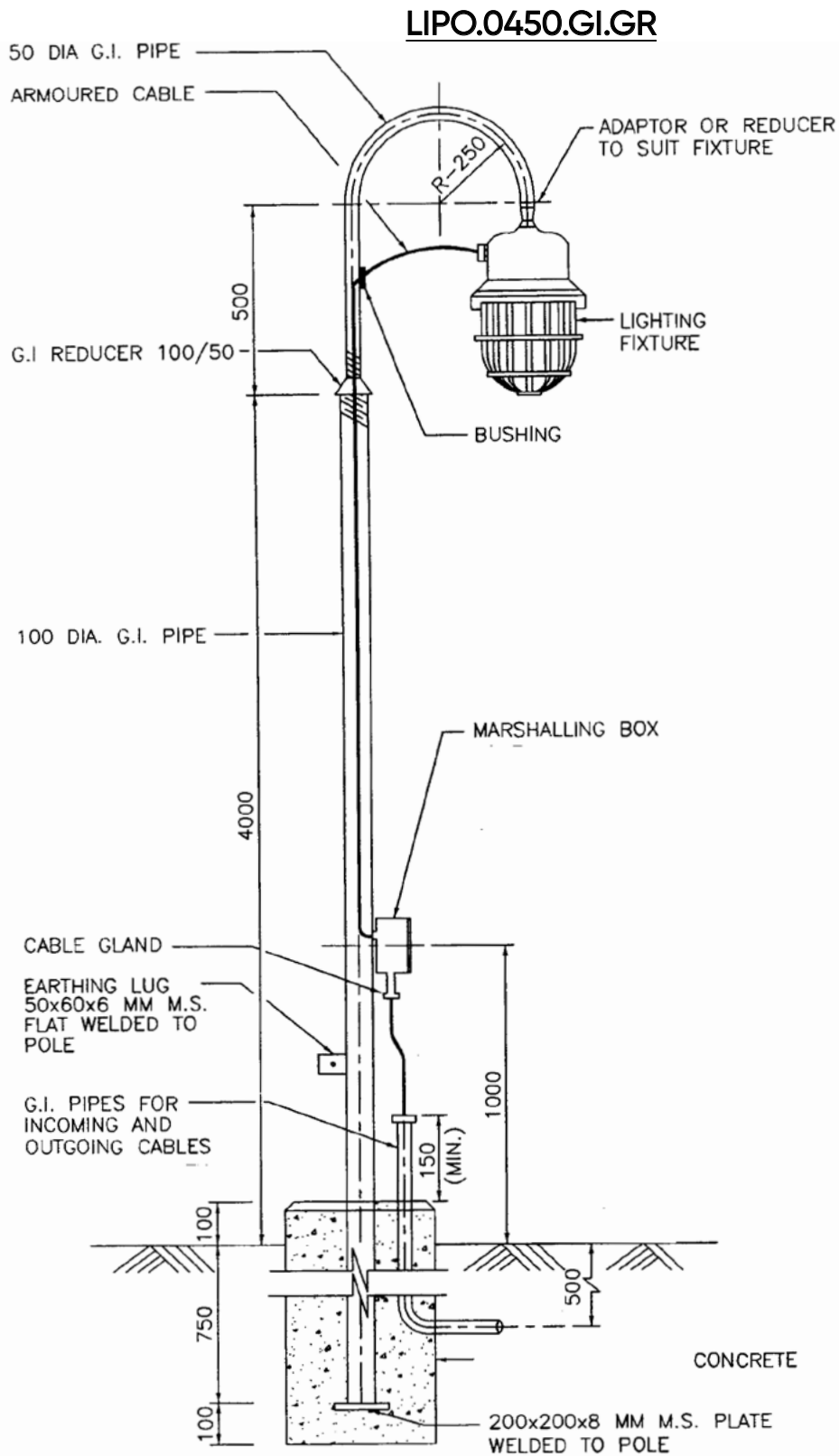
The lighting poles are made of GI pipe and are available in multiple standard sizes based on the requirement of mounting to the ground or to a handrail or to a wall. The poles can eliminate the tedious process of fabricating such structures on site, proving to be a simple and economic solution. The bends are carefully manufactured without any wrinkles.

If poles are required in any other size than mentioned, please contact us.

Poles can be manufactured in custom sizes as per requirement..

Inspection by a third party agency (TPI) such as CIEL, TUV, BV or others can be arranged.

Product Code	Height (H) (mm)	Mounting	Material
LIPO.0450.GI.GR	5000	Ground	GI Pipe – Medium Grade
LIPO.0240.GI.HR	3000	Handrail	GI Pipe – Medium Grade
LIPO.0150.GI.WA	1500	Wall	GI Pipe – Medium Grade

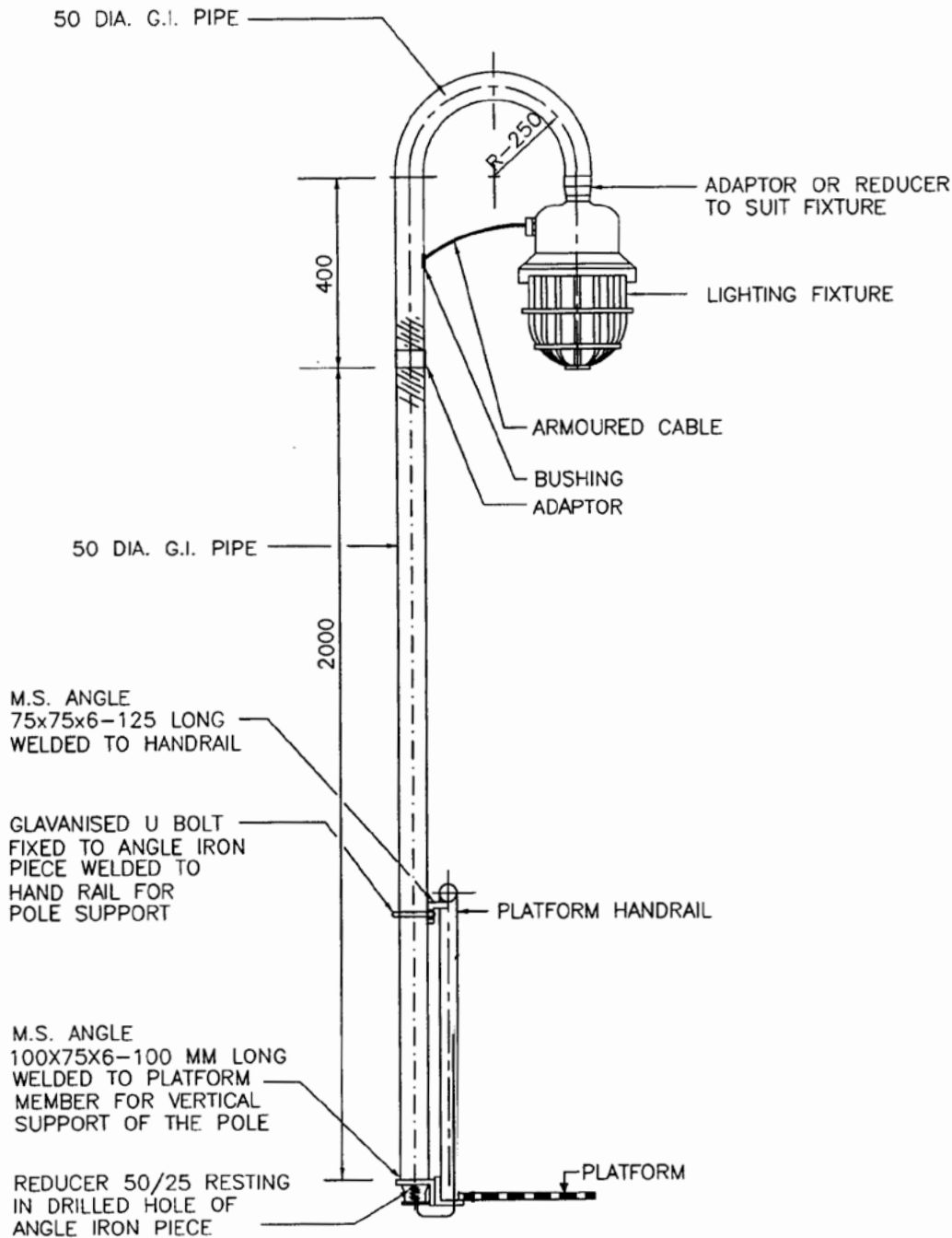


**DETAIL-1**

**NOTES:-**

1. ALL DIMENSIONS ARE IN MM.
2. TYPE OF FIXTURE USED SHALL FOR PROVIDING SUITABLE ADAPTORS
3. MARSHALLING BOX, JUNCTION BOX AND GI PIPES FOR CABLES AND OTHER CONCERNED CLAMPS AND SUPPORTS ARE TO BE ORDERED SEPARATELY
4. DRAWINGS ARE INDICATIVE FOR INSTALLATION

## LIPO.0240.GI.HR



### DETAIL-1

#### NOTES:-

1. ALL DIMENSIONS ARE IN MM.
2. TYPE OF FIXTURE USED SHALL FOR PROVIDING SUITABLE ADAPTORS
3. MARSHALLING BOX, JUNCTION BOX AND GI PIPES FOR CABLES AND OTHER CONCERNED CLAMPS AND SUPPORTS ARE TO BE ORDERED SEPARATELY
4. DRAWINGS ARE INDICATIVE FOR INSTALLATION

LIPO.0150.GI.WA

